

Superior Clamping and Gripping



SCHUNK Gripper MPC

The price-attractive, pneumatic
Small Parts Gripper
for Handling and Assembly

The price-attractive, pneumatic Small Parts Gripper used for Handling and Assembly

With the new SCHUNK Small Parts Gripper MPC the competence leader for gripping systems and clamping technology broadens its product portfolio by a low-cost gripper for simple applications in the field of handling and assembly.

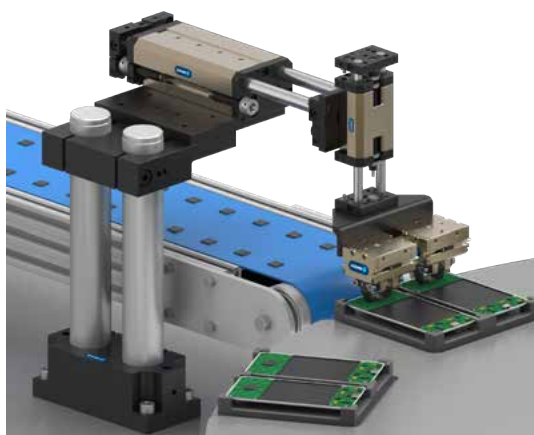


The advantages at a glance:

- +** **Price-attractive basic gripper**
with basic functionality for simple application in the small parts handling
- +** **6 size are available**
for a broad range of applications for workpieces ranging from small to medium-sized
- +** **Compatible, suitable sensor system optionally available**
ensures a functional and price-attractive gripping system
- +** **Housing and guidance are made of high-strength aluminum**
loadable and weight-optimized

Technical data

Size	Stroke per jaw [mm]	Gripping force [N]	Recommended workpiece weight [kg]	Weight [kg]
25	2.5	16	0.08	0.05
40	4	50	0.25	0.14
75	7.5	110	0.55	0.21
100	10	170	0.85	0.34
120	12	250	1.25	0.54
150	15	360	1.8	0.94



SCHUNK pick & place application with MPC double gripping unit for placing electronic parts in the communications and electronic industry.



J. Lehmann

Jens Lehmann, German goalkeeper legend, SCHUNK brand ambassador since 2012 for safe, precise gripping and hoolding. schunk.com/lehmann

1365567-1,5M-08/2018 © 2018 SCHUNK GmbH & Co. KG

