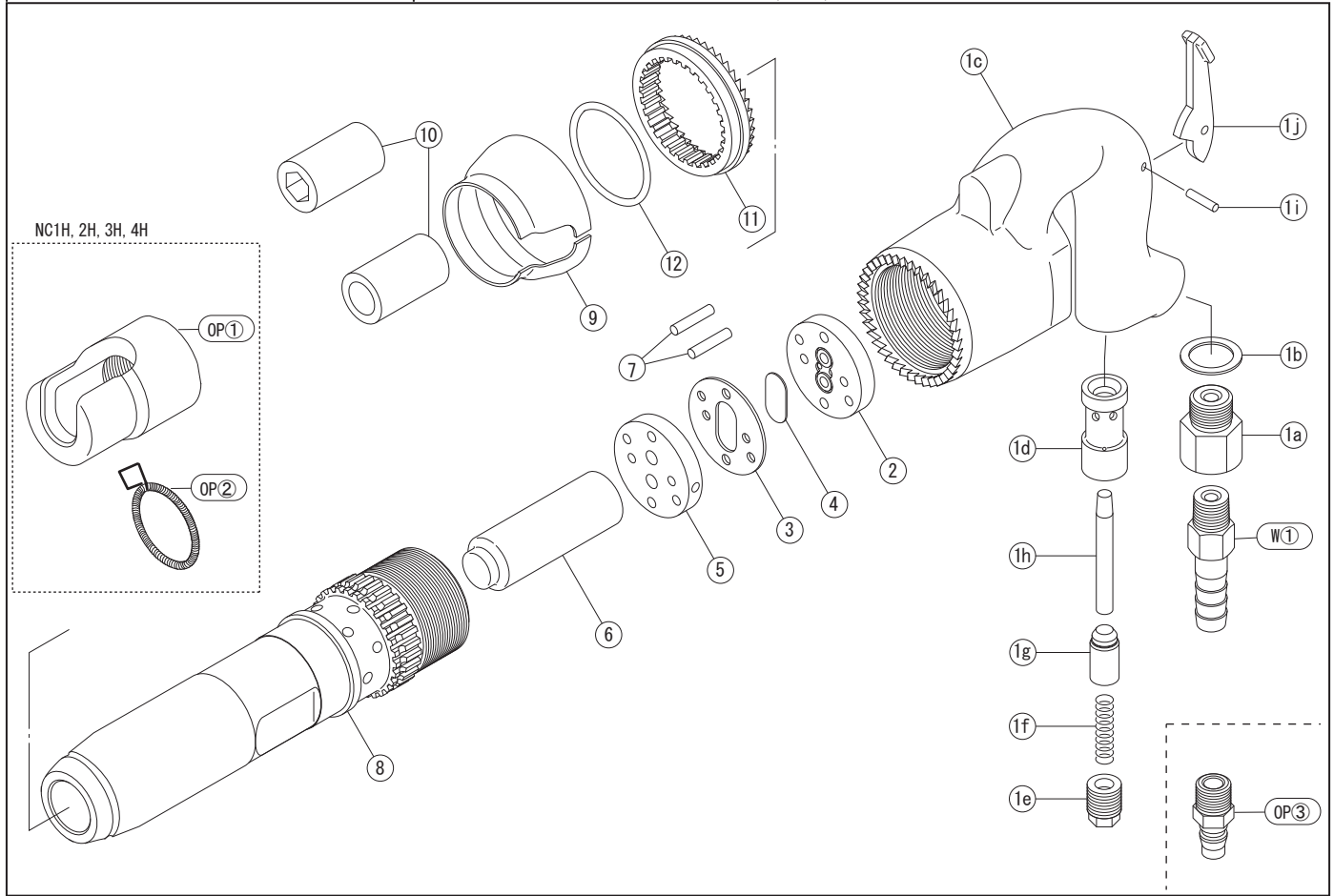


## PARTS LIST



No.	Code	Name Of Part	Q'ty	No.	Code	Name Of Part	Q'ty
1	C2104	Handle Assy	1				
1a	2102	Inlet Bush PT3/8	1	*6	2116	Piston <NC1>	1
1b	2103	Washer 21*30*1	1	*6	2117	Piston <NC2>	1
1c	2104	Handle	1	*6	2119	Piston <NC4>	1
1d	2105	Throttle Valve Bush	1	*8	2125	Cylinder <NC1>	1
1e	2106	Throttle Cap	1	*8	2126	Cylinder <NC2>	1
1f	9203	Throttle Spring 8.8*35	1	*8	2128	Cylinder <NC4>	1
1g	2108	Throttle Valve	1			(NC1H,2H,3H,4H)	
1h	2109	Throttle Pin #43	1	OP①	2151	Holder Spring	1
1i	9516	Throttle Lever Pin 4*17.8	1	OP②	2152	Chisel Holder	1
1j	2111	Throttle Lever	1				
2	2112	Upper Valve Sheet	1			(OPTION)	
3	2113	Valve Case	1	OP③	9106	Coupling PM23	1
4	2114	Valve	1				
5	2115	Lower Valve Sheet	1				
*6	2118	Piston <NC3>	1				
7	9520	Valve Pin	2				
*8	2127	Cylinder <NC3> 5*24.8	1				
9	2129	Exhaust Cover	1				
10	2130	Cylinder Bush(Round)	1				
"	2131	Cylinder Bush(Hex.)	1				
11	2133	Clutch	1				
12	9416	O-Ring P50	1				
W①	9035	Hose Nipple(B) 3/8-1/2	1				