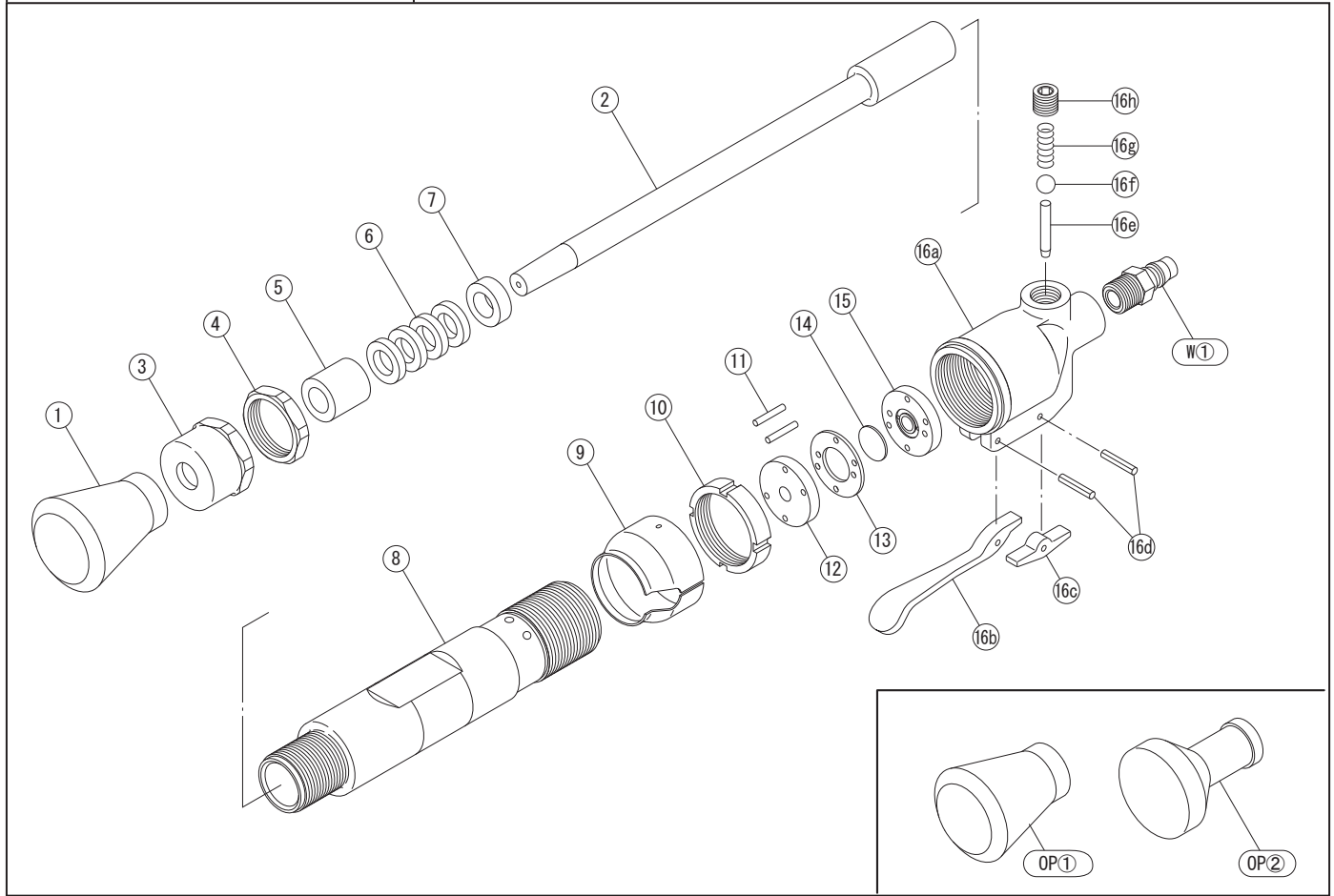


PARTS LIST


No.	Code	Name Of Part	Q'ty	No.	Code	Name Of Part	Q'ty
*1	5001	Rubber Butt $\phi 40$	1				
*2	5004	Piston 230mm	1	OP①	5002	Rubber Butt(Big) $\phi 50$	1
3	5006	Ground	1	OP②	5003	Steel Butt $\phi 40$	1
4	5007	Ground Nut	1				
*5	5008	Piston Bush	1	*2	5005	Piston(Long) 270mm	1
*6	5009	Leather Packing $20 \times 12.5 \times 5$	4				
7	5010	Packing Bush	1				
8	5011	Cylinder	1				
9	5012	Exhaust Cover	1				
10	5013	Lock Nut	1				
11	9512	Valve Pin 3×18.8	2				
12	5014	Lower Valve Sheet	1				
13	4505	Valve Case	1				
14	2015	Valve	1				
15	5015	Upper Valve Sheet	1				
16	C5016	Handle Assy	1				
16a	5016	Handle Body	1				
16b	5017	Lever (Long)	1				
16c	5018	Lever (Short)	1				
16d	9553	Lever Pin 4×22	2				
16e	5020	Throttle Pin	1				
16f	9471	Throttle Valve $3/8$	1				
16g	9202	Throttle Spring 9×22	1				
16h	9480	Throttle Plug $1/4$	1				
W①	9106	Coupling $\text{PM}23$	1				